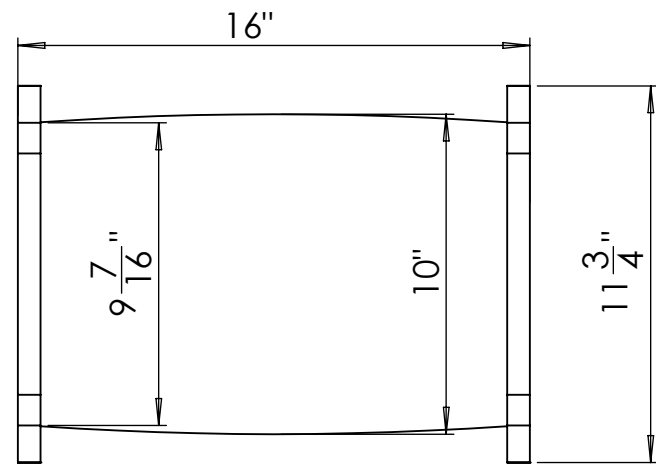
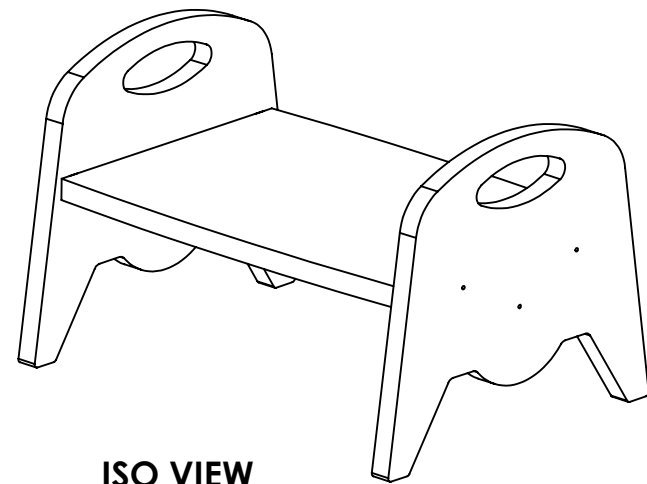


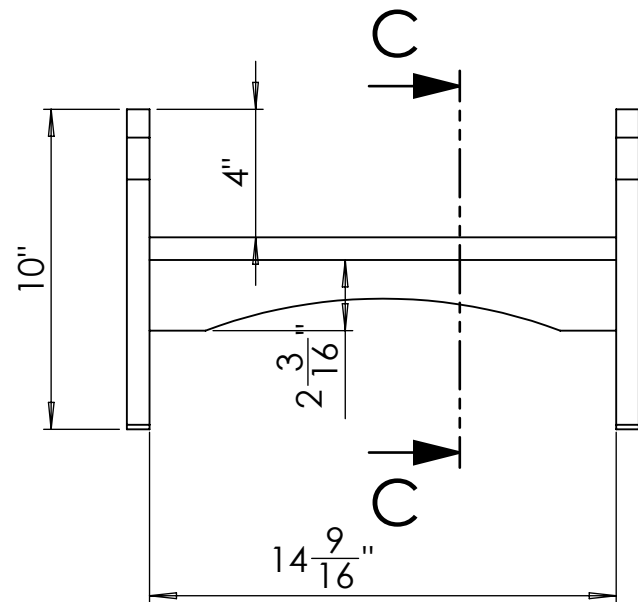
**\*\* DO NOT LEAVE CHILD UNATTENDED WHILE USING EQUIPMENT \*\***



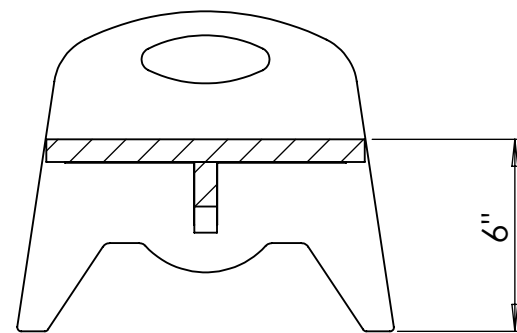
**PLAN**



**ISO VIEW ELEVATION**

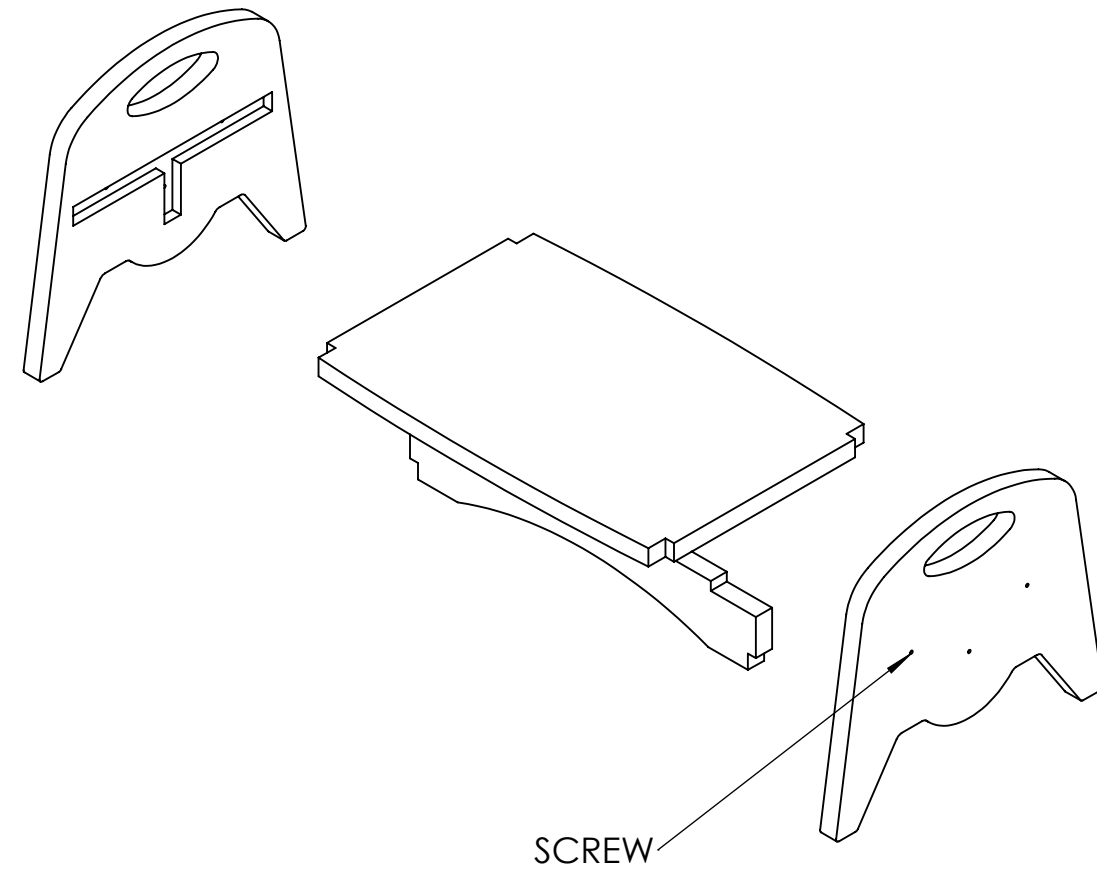


**ELEVATION**



**SECTION C-C  
SCALE 1 : 6**

**DRY FIT ALL PARTS BEFORE FINAL ASSEMBLY**



**EXPLODED VIEW**



114 Advance Blvd  
BRAMPTON, ON, L5T 4J4  
TEL 905.453.9729  
www.two-sticks.ca

**PARTS LIST:**

BALTIC BIRCH PLYWOOD

**HARDWARE INCLUDED**

-2" LONG SCREWS X 6 PC  
- SANDPAPER

**Rev 0 - Sep02.20**

PROJECT:  
Bench 6in High

SCALE: 1:5 DRAWN BY:  
**Alex**

DATE: 14/10/2020 JOB No. 20-107

DRAWING NUMBER

**Bench 6in High Assembly**