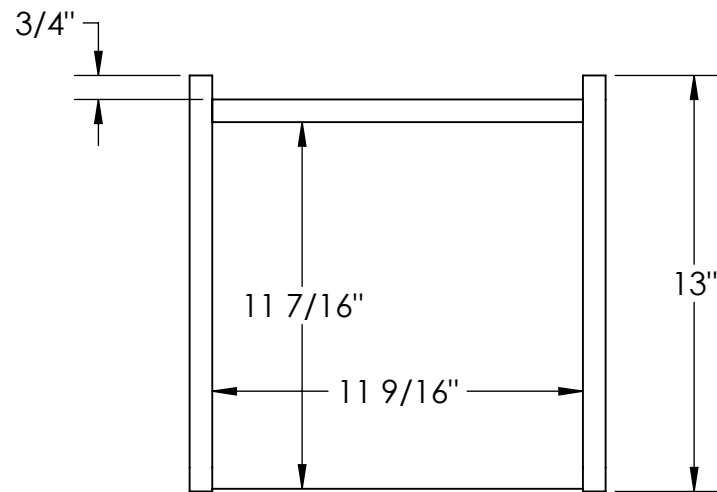
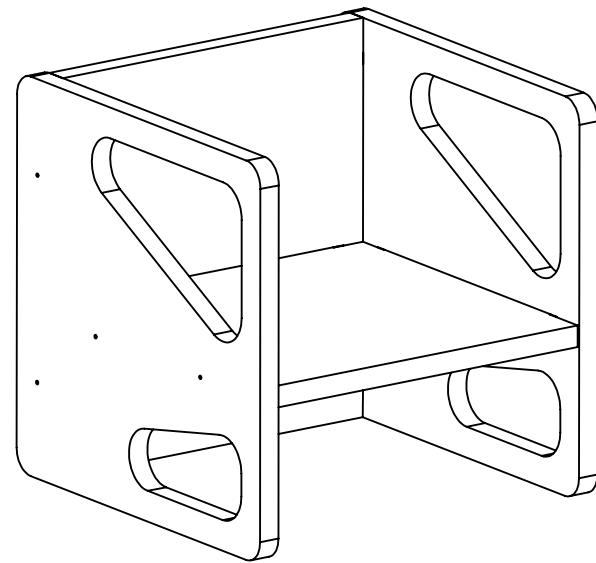


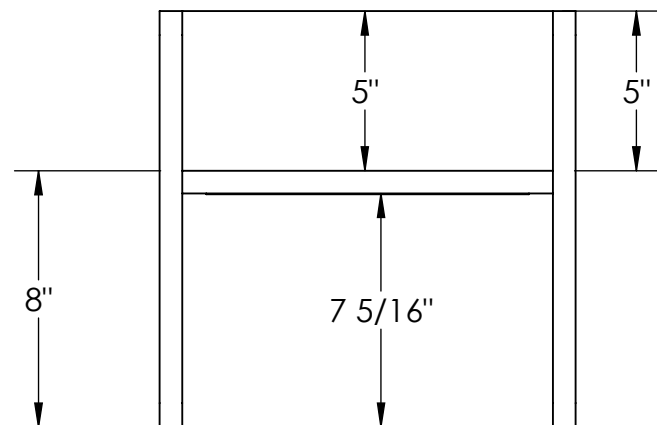
**\*\* DO NOT LEAVE CHILD UNATTENDED WHILE USING EQUIPMENT \*\***



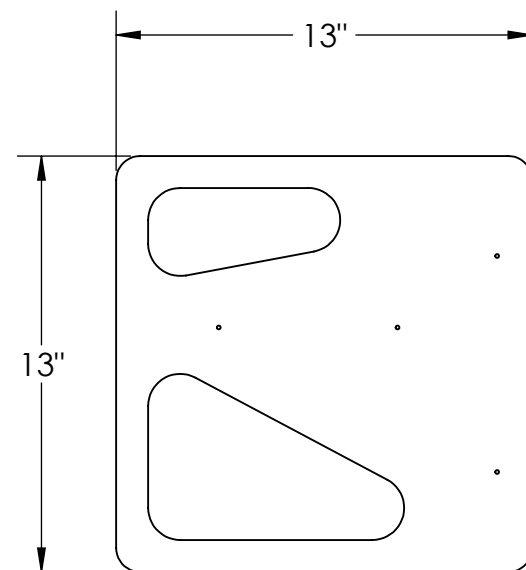
**PLAN**



**ISO VIEW**

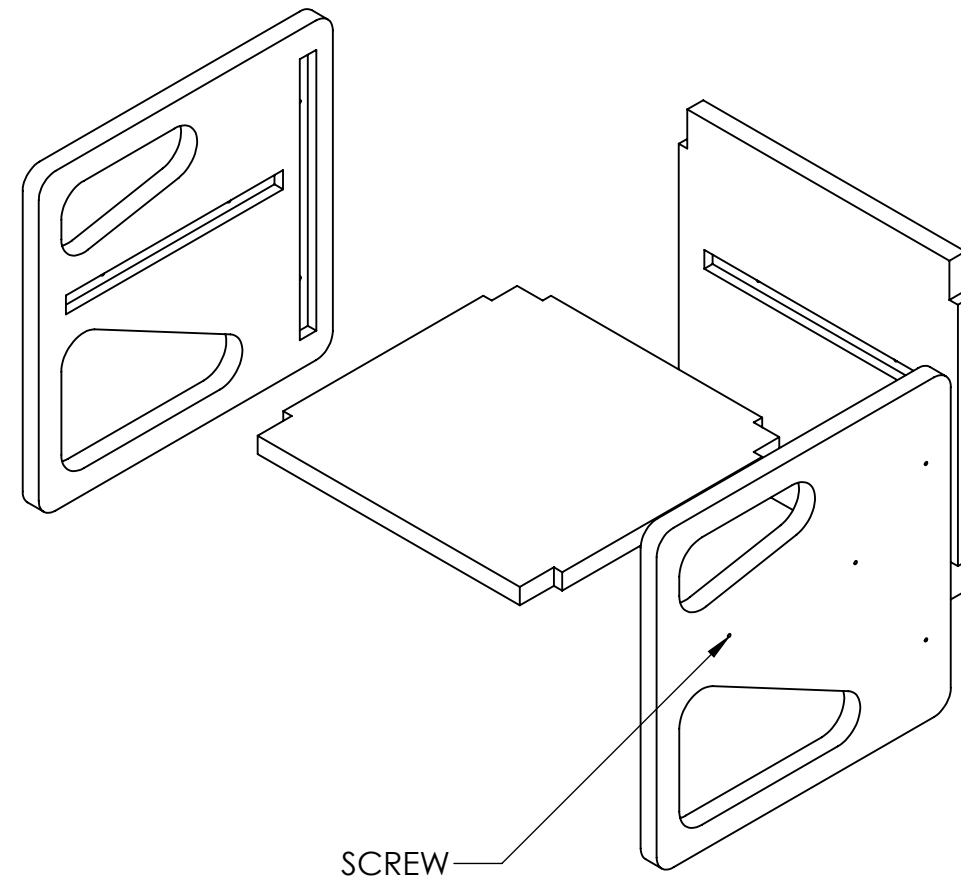


**FRONT ELEVATION**

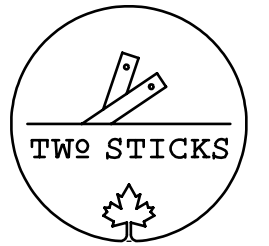


**SIDE ELEVATION**

**DRY FIT ALL PARTS BEFORE FINAL ASSEMBLY**



**EXPLODED VIEW**



114 Advance Blvd  
BRAMPTON, ON, L5T 4J4  
TEL 905.453.9729  
www.two-sticks.ca

**PARTS LIST:**

Baltic Birch Plywood

**HARDWARE INCLUDED**

-2" LONG SCREWS X 8 PC  
- SANDPAPER

**REV 0 - Sep02.20**

PROJECT:  
Cube Chair

SCALE: [1:8] DRAWN BY:  
**Alex**

DATE: 14/10/2020 JOB No. 20-107

DRAWING NUMBER

**Cube Chair Assembly**