

**** DO NOT LEAVE CHILD UNATTENDED WHILE USING EQUIPMENT ****



114 Advance Blvd
BRAMPTON, ON, L5T 4J4
TEL 905.453.9729
www.two-sticks.ca

DRY FIT ALL PARTS BEFORE FINAL ASSEMBLY

PARTS LIST:

Baltic Birch Plywood

HARDWARE INCLUDED

-2" LONG SCREWS X 12 PC
- SANDPAPER

REV 0 - Sep02.20

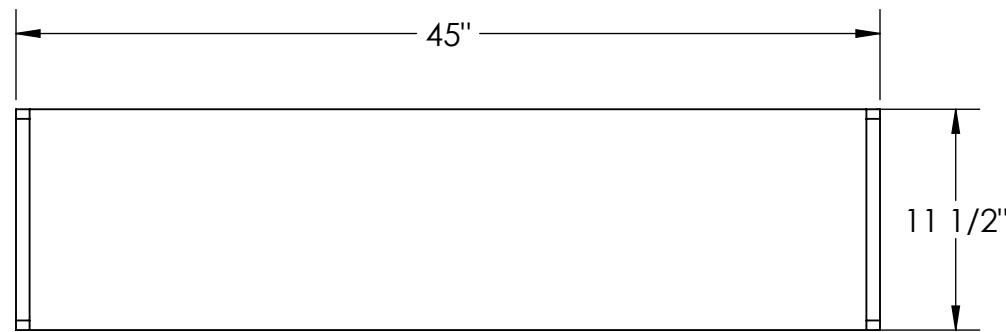
PROJECT:
Infant Shelf

SCALE: 1:16 DRAWN BY:
Alex

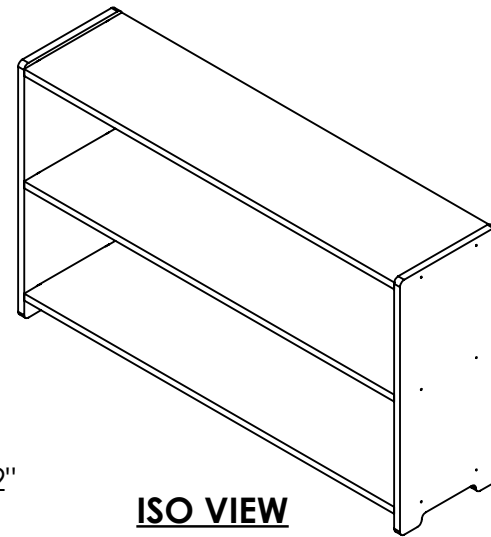
DATE: 14/10/2020 JOB No. 20-107

DRAWING NUMBER

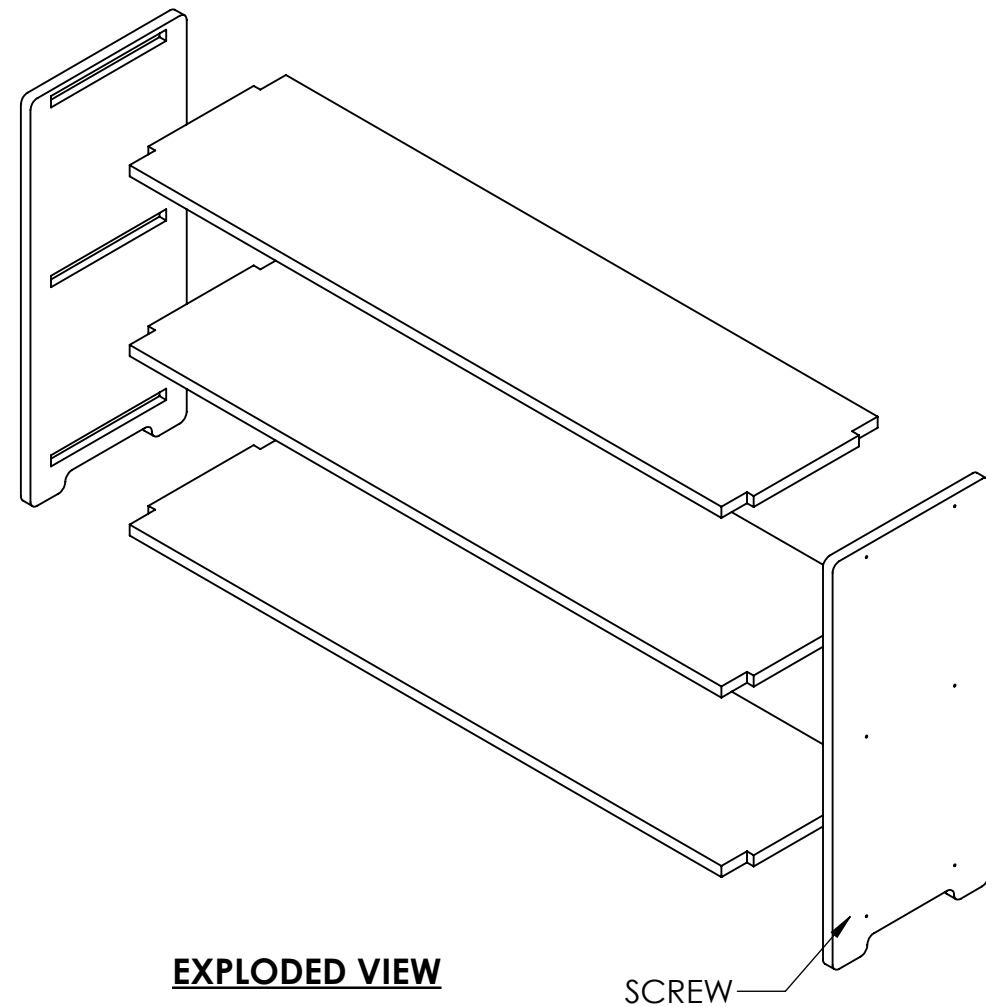
Double Level - 45" Assembly



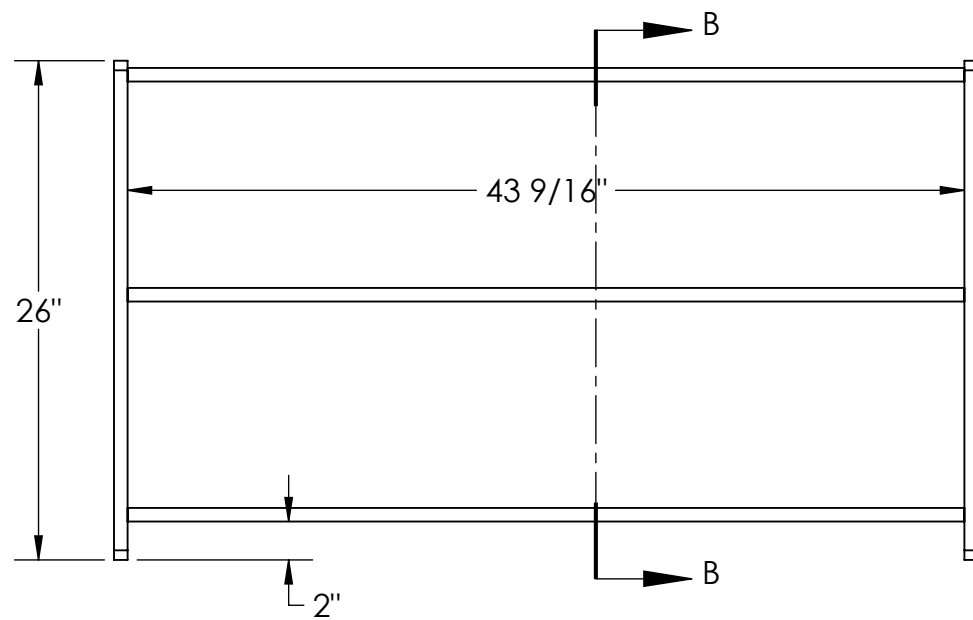
PLAN



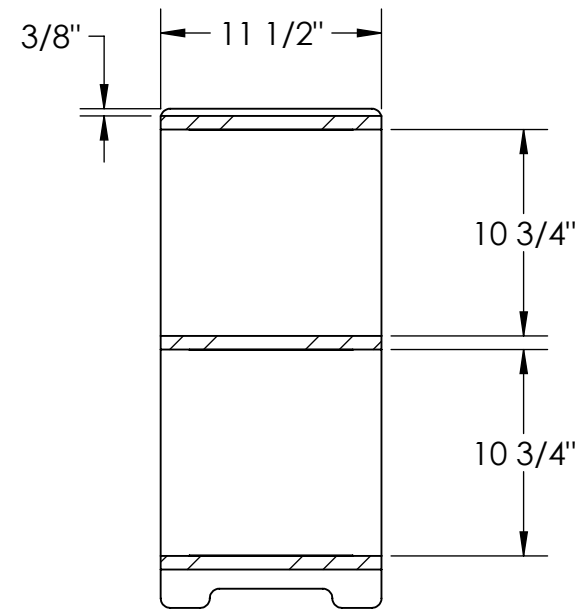
ISO VIEW



EXPLODED VIEW



FRONT ELEVATION



SECTION B-B
SCALE 1 : 10