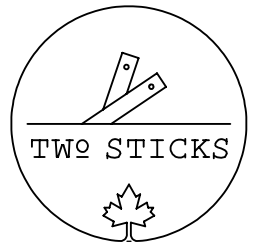


**\*\* DO NOT LEAVE CHILD UNATTENDED WHILE USING EQUIPMENT \*\***

**DRY FIT ALL PARTS BEFORE FINAL ASSEMBLY**



114 Advance Blvd  
BRAMPTON, ON, L5T 4J4  
TEL 905.453.9729  
www.two-sticks.ca

**PARTS LIST:**

Baltic Birch Plywood

**HARDWARE INCLUDED**

-2" LONG SCREWS X 8 PC  
- SANDPAPER

**REV 0 - Sep02.20**

PROJECT:

**Infant Shelf**

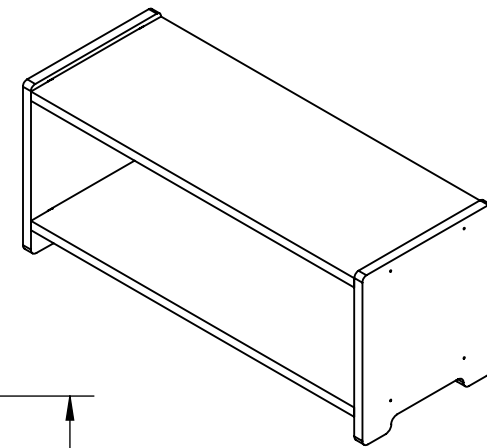
SCALE: 1:16 DRAWN BY:

**Alex**

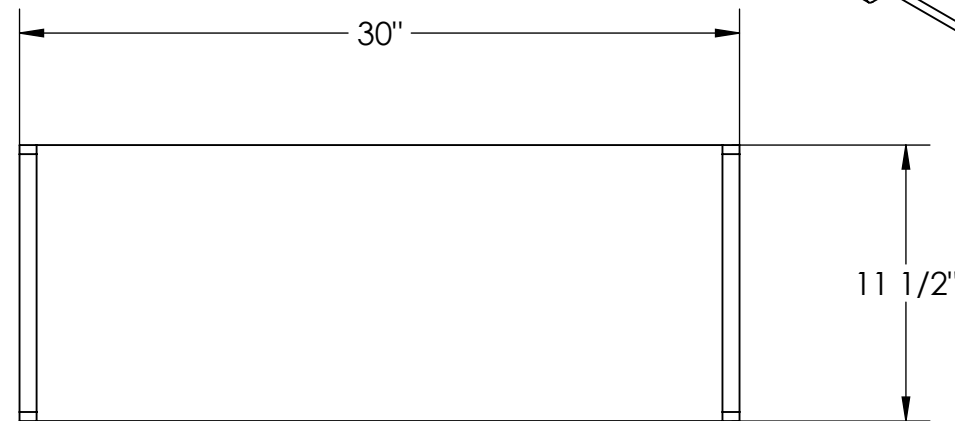
DATE: JOB No.

14/10/2020 20-107

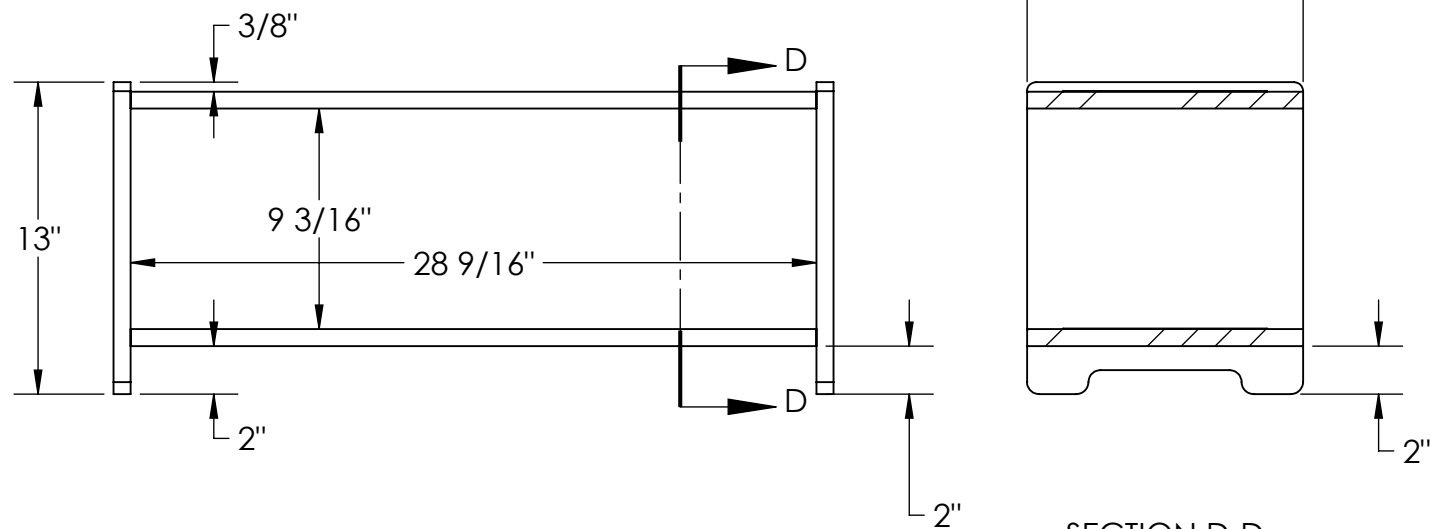
DRAWING NUMBER



**ISO VIEW**

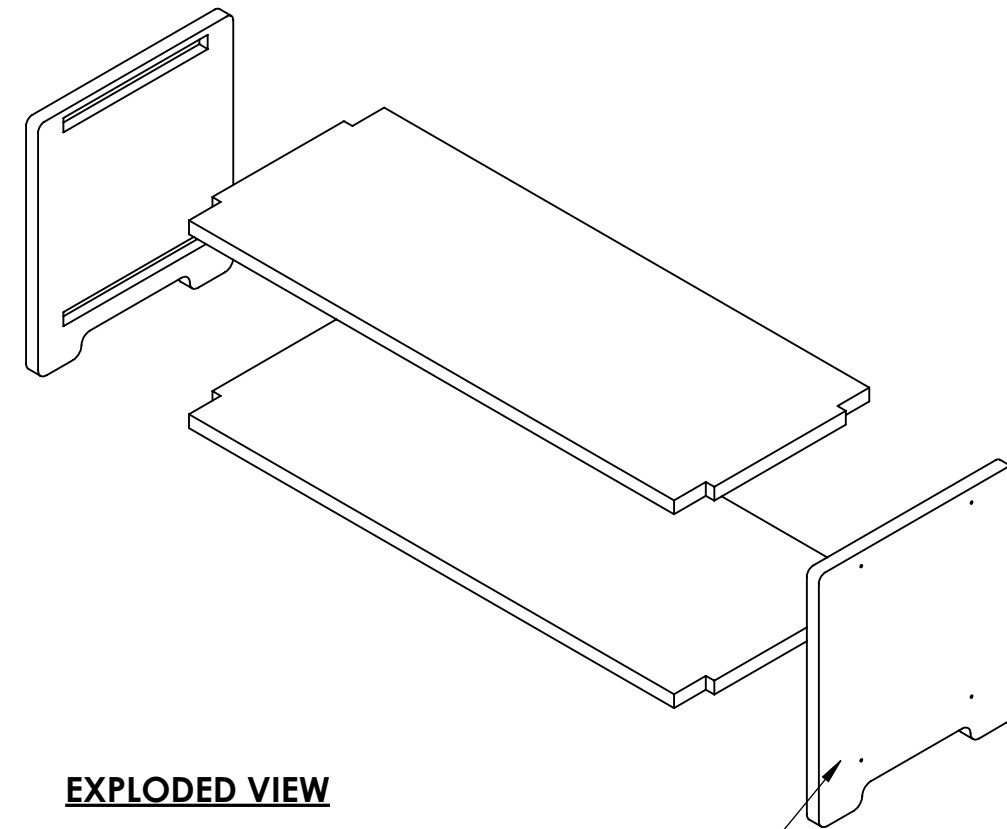


**PLAN**



**FRONT ELEVATION**

**SECTION D-D  
SCALE 1 : 8**



**EXPLODED VIEW**

SCREW

**Single Level - 30" Assembly**