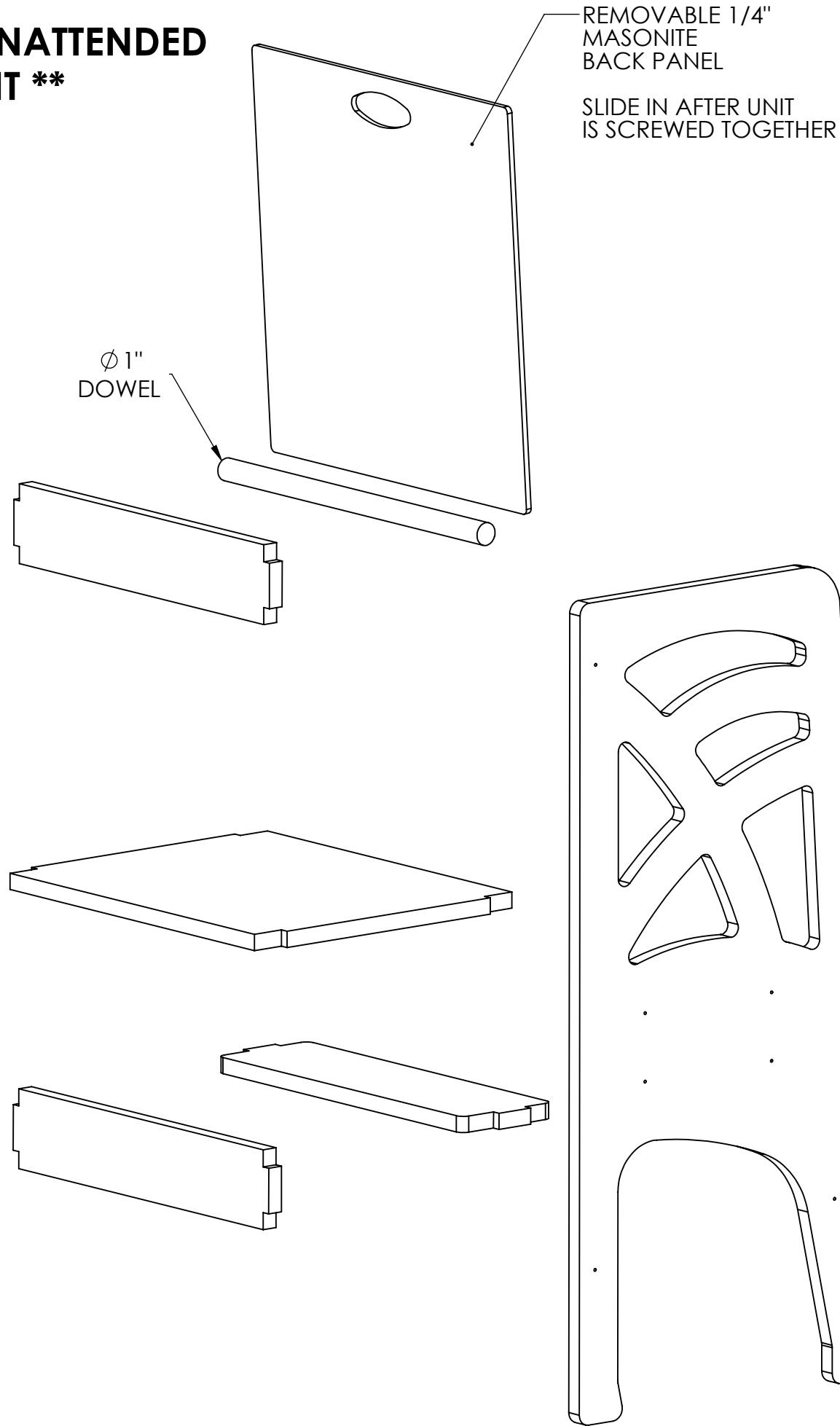
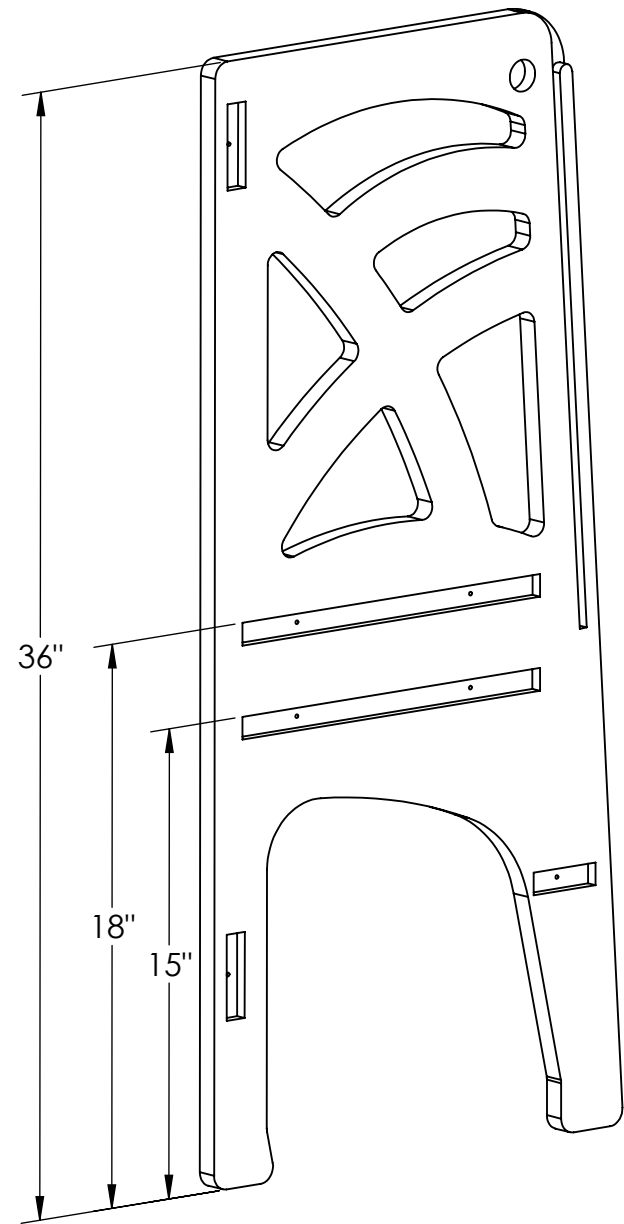
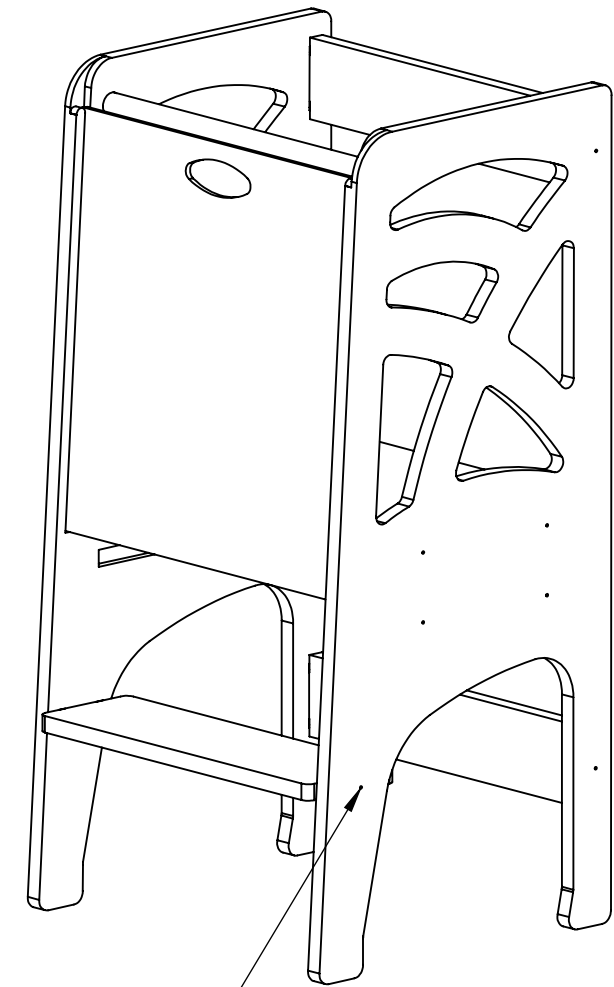


**** DO NOT LEAVE CHILD UNATTENDED WHILE USING EQUIPMENT ****

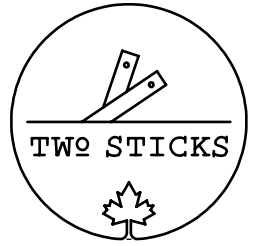


NOTE: 1" DOWEL MUST BE INSERTED BEFORE GABLES ARE SECURED

DRY FIT ALL PARTS BEFORE FINAL ASSEMBLY



SCREW



114 Advance Blvd
BRAMPTON, ON, L5T 4J4
TEL 905.453.9729
www.two-sticks.ca

PARTS LIST:
Baltic Birch Plywood

HARDWARE INCLUDED

-2" LONG SCREWS X 14 PC
- SANDPAPER

REV 0 - Sep02.20

PROJECT:
Learning Tower

SCALE: 1:12 DRAWN BY:
Alex

DATE: 14/10/2020 JOB No. 20-107

DRAWING NUMBER

Tower.1 Assembly